

# TECHNICAL SERVICE BULLETIN

NO. 77-A-6



# Triumph

June, 1977

**SUBJECT:**  
EXHAUST DOWN PIPE AND FLANGE GASKET FAILURES

**MODELS:**  
Spitfire

An extra support bracket and clip were introduced on production at VIN #FM-63214. The purpose of this support bracket is to prevent exhaust down pipe and/or exhaust gasket failure.

In the event a failure occurs on pre-modified vehicles, the following procedure should be followed:

- 1 - Attach the support bracket "A" (part #UKC9171) to the forward side of the engine back plate "B" (as illustrated) using the two existing bolts. Do not tighten the bolts at this stage.
- 2 - Fit the appropriate clip "C" (part #UKC9611 or part #UKC9172) to secure the exhaust pipe to the support bracket.
- 3 - Tighten the clips securing bolts "D" and "E" (part #HU0806 and #143802).
- 4 - Tighten the support brackets securing bolts.

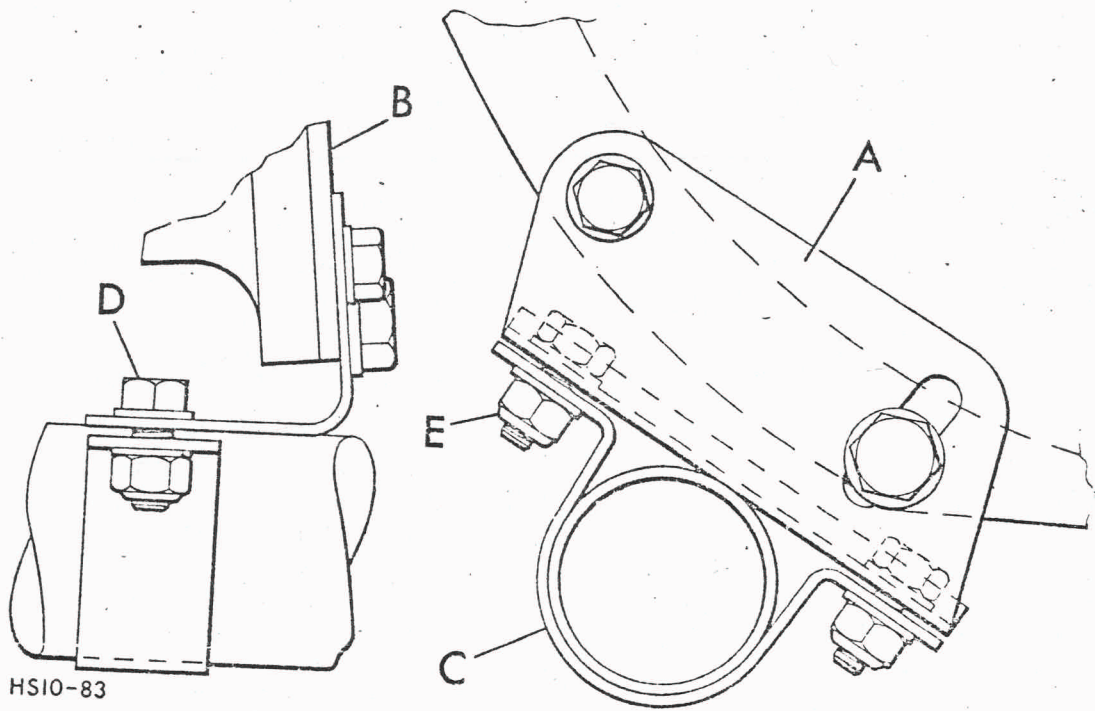
The following materials are required:

<u>Quantity</u>	<u>Description</u>	<u>Part Number</u>
1	Support Bracket	UKC-9171
2	Bolt	SH605061
2	Nut	143802
4	Plain Washer	WP0107
1	Clip	UKC-9611 (for use with pre 1977 non catalyst exhaust system vehicles)
1	Clip	UKC-9172 (for use with pre 1977 catalyst exhaust system vehicles and all 1977 vehicles up to VIN #FM63214)

*1103*  
*207-217 2.27*

**NOTE:** In the event that this modification is required on vehicles still within warranty, a warranty claim may be submitted for 00.30 hours for fitting this extra support bracket and clip.

cont'd . . . . .



HS10-83

T-06-77/75