

TECHNICAL SERVICE BULLETIN

NO. 74-A-5



Austin MG

August, 1974

SUBJECT:

REPLACEMENT FUEL PUMP

MODELS:

MGB & MGB/GT

We are pleased to announce the availability of an approved BLMI substitute fuel pump as an alternative to the AUF 305 on current MGB and MGB/GT and most past model MG automobiles.

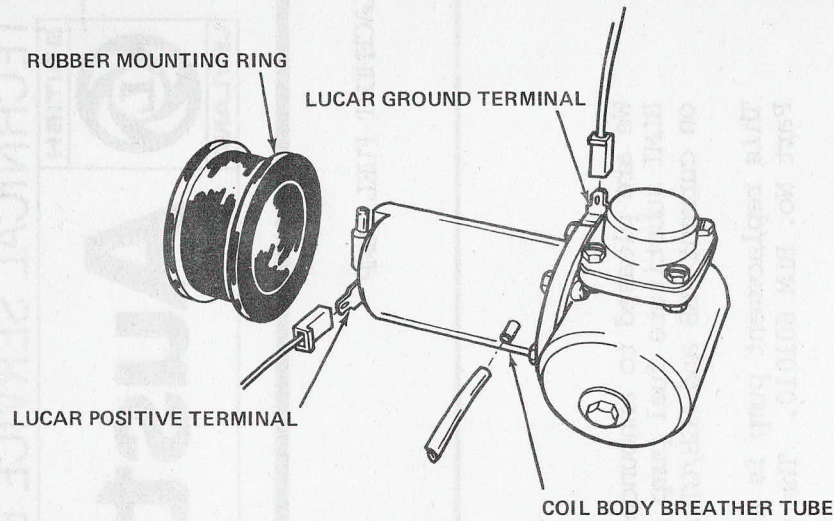
This replacement pump is available from your Distributor under Part No. BLM 601010. The package includes:

- a) One AC (U.S. Made) fuel pump.
- b) Two special brass unions for ease of fitment to existing fuel lines.
- c) One mounting bolt.
- d) Fully illustrated instructions.

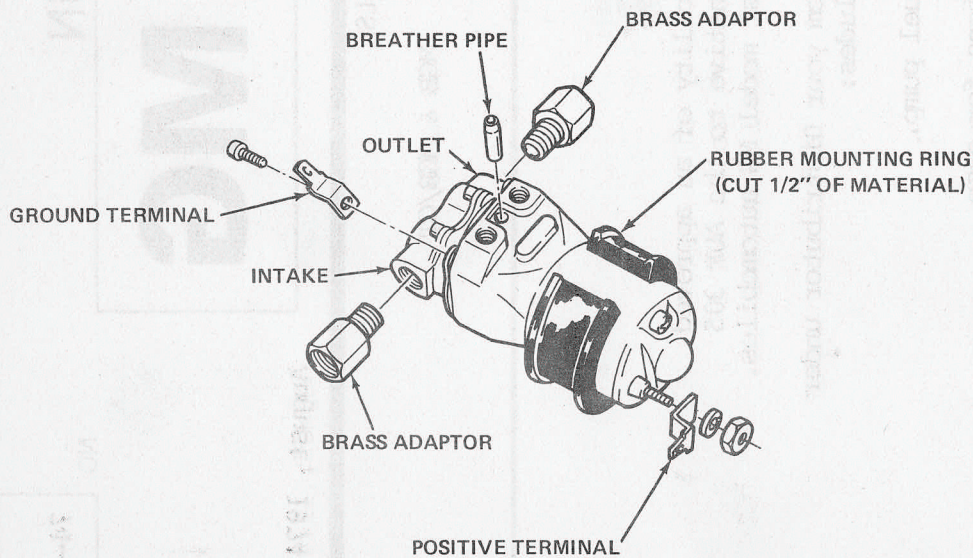
The installation instructions are reproduced on the reverse side of this bulletin for your reference.

J.P.

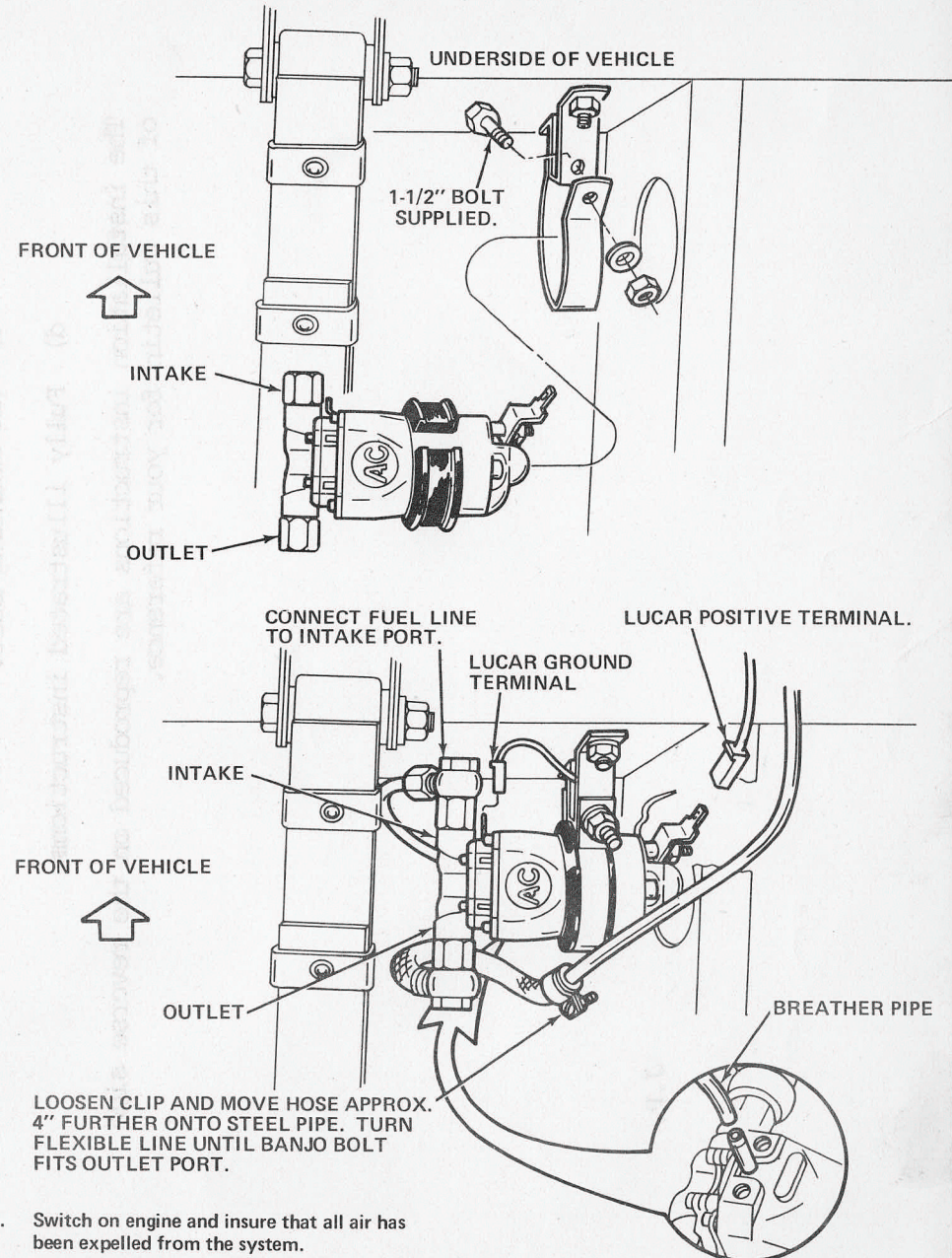
SU FUEL PUMP REMOVAL



PRE-ASSEMBLY OF AC FUEL PUMP



INSTALLATION OF AC FUEL PUMP ASSEMBLY



1. Switch on engine and insure that all air has been expelled from the system.
2. Check for leaks.